



30" WALL MOUNT RANGE HOOD
CAMPANA DE GAMA DE MONTAJE DE PARED DE 30"

MODEL: PCH7705CB
MODELO: PCH7705CB



Table of Contents

Table of Contents	2
Safety Information	2
Warranty	4
Pre-installation	5
Installation	8
Operation	11
Maintenance.....	12
Care and Cleaning.....	14
Troubleshooting	15
Wiring Diagram.....	16

Safety Information

GENERAL SAFETY INFORMATION

1. Use this unit only in the manner intended. If you have any questions, contact the distributor or importer.
2. Please carefully read this guide before installing or using this product. Save this guide for the local electrical inspector's use.
3. This range hood has a thermally protected system for the motor, which will shut down automatically if the motor is overheated. If the overheat protection trips, disconnect the power and wait for 15 minutes for the motor to cool down.

INSTALLATION SAFETY INFORMATION

1. The installation instructions in this manual are intended for qualified person(s).
2. Your installation must comply with all applicable local codes and standards.
3. Grounding instructions:
This appliance must be grounded. In the event of an electrical short circuit, grounding reduces the risk of electric shock by providing an escape wire for the electric current. This appliance is equipped with a cord having a grounding wire with a grounding plug. The plug must be plugged into an outlet that is properly installed and grounded. Consult a qualified electrician if the grounding instructions are not completely understood, or if doubt exists as to whether the appliance is properly grounded. Do not use an extension cord. If the power supply cord is too short, have a qualified electrician install an outlet near the appliance.
4. Sufficient air is needed for proper combustion and exhausting of gases through the duct cover to prevent back drafting. Follow the guidelines and safety standards, such as those published by the National Fire Protection Association (NFPA),

the American Society for Heating, Refrigeration, and Air Conditioning Engineers (ASHRAE), and the local code authorities.

5. Old duct work should be cleaned or replaced if necessary. Check and properly tape all joints on duct work to ensure proper connections.



DANGER: Turn off the power circuit breaker or the power switch on the junction box before installing or servicing this unit. Touching circuitry inside the range hood while it is energized will result in death or serious injury.



DANGER: All electrical wiring must be properly installed, insulated, and grounded. Improper insulation and grounding will result in deadly electrical shock.



DANGER: If installing this unit over a gas range, turn off the gas at the source before installing or servicing this unit.



WARNING: Attempting to install or service this unit when you do not have the necessary technical or electrical background could result in personal injury.



WARNING: The unit has sharp edges. Always wear safety gloves during installation, cleaning, or servicing.



WARNING: Improper grounding can result in an electric shock.



WARNING: Always leave safety grills and filters in place. Without these components, operating fans could catch on to hair, fingers, or loose clothing.



CAUTION: For the stainless hoods, please carefully remove the plastic protective film from the surface of the hood prior to installation.

Safety Information (continued)

GENERAL SAFETY INFORMATION

1. Ducted fans should always be vented to the outdoors. Never vent exhaust air into spaces within walls or ceilings, attics, crawl spaces, or garages.
2. When cutting or drilling into the wall or ceiling, do not damage electrical wiring or other hidden utilities.

COOKING SAFETY INFORMATION

1. Use this unit only in the manner intended by the manufacturer. If you have questions, contact the manufacturer at the address or telephone number listed in the warranty.
2. Before servicing or cleaning unit, switch power off at service panel and lock the service disconnecting means to prevent power from being switched on accidentally. When the service disconnecting means cannot be locked, securely fasten a prominent warning device, such as a tag, to the service panel.
3. Installation work and electrical wiring must be done by a qualified person(s) in accordance with all applicable codes and standards, including fire-rated construction.
4. Sufficient air is needed for proper combustion and exhausting of gases through the flue (chimney) of fuel burning equipment to prevent backdrafting. Follow the heating equipment manufacturer's guidelines and safety standards such as those published by the National Fire Protection Association (NFPA) and the American Society for Heating, Refrigeration and Air Conditioning Engineers (ASHRAE) and the local code authorities.
5. When cutting or drilling into wall or ceiling, do not damage electrical wiring and other hidden utilities.
6. Ducted fans must always be vented to the outdoors.
7. This unit must be grounded.

CLEANING SAFETY INFORMATION

1. The fan and filters must be cleaned periodically and kept free from accumulation of cooking residue. Old and worn filters must be replaced immediately.
2. Never disassemble parts to clean. Parts should be disassembled by qualified persons only.



WARNING: To reduce the risk of fire, use only metal duct work. Never use plastic duct work.



WARNING: Stay clear of the rotating fan when the motor is running.



WARNING: Keep this appliance clean and free of grease and residue build-up at all times to prevent fires.



CAUTION: For general ventilation use only. Do not use the range hood fans to exhaust hazardous or explosive vapors.



CAUTION: Never dispose of cigarette ashes, ignitable substances, or any foreign objects in fans.

Warranty

This range hood is warranted to the original purchaser to be free of defects in material and workmanship for one (1) year from the date of purchase.

Our obligation shall be limited to the repair or replacement of a unit (at our discretion) that may prove, by our sole examination, to be defective under normal use and service during the warranty period. We may issue credit in the amount of the invoice value of the defective product (or a percentage of it according to use) in lieu of repair or replacement. Any failure of this product that is not traceable to a defect in material or workmanship is not covered by this warranty. These non-warrantable items include, but are not limited to:

- Change in color or finish due to chemical usage
- Improper installation not in accordance with the instructions
- Dents, bumps, and scratches incurred during shipping, handling, or installation
- Damage caused by failure to follow care and cleaning guidelines, including damage caused by the use of abrasive cleaners
- Alterations made to the unit by the purchaser or installer
- Damage caused by accidental impact, fire, flood, freezing, and normal wear
- Bends and warping caused by forced connections, over-tightened fittings, and inadequate support during installation

A thorough inspection must be made before installation and any damage must be promptly reported. We will not be liable for failures or damage that could have been discovered or avoided by proper inspection and testing prior to installation.

Incidental repairs that would involve a minimum of time and effort on behalf of the purchaser will not be considered warranty work and no compensation will be deemed forth coming.

This warranty is non-transferable and shall be voided if the unit is removed from its initial installation or if it is not installed following the instructions.

Under no circumstance shall we be held liable for personal injury or property damage resulting from improper installation or use of this product. We will not be held liable for inconvenience caused by loss of use of this product, costs incurred for labor or materials, removal and installation of replacement units, or any other incidental or consequential damages. Costs relating to obtaining access for repair or replacement are the responsibility of the user.

This warranty does not extend to commercial and institutional installation or use.

WARRANTY CLAIM PRODEDURE

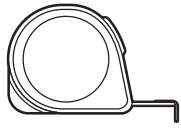
Before you make your claim call, please ensure that you have:

- Description of the range hood
- Proof of sale
- Details regarding the defect
- Name(s) and address(es) of the owner and installer

Claims must be filled out in writing and returned within six (6) months of the appearance of a defect. Failure to comply with this stipulation will make this warranty null and void. We reserve the right to a thirty-day (30) delay following the receipt of a claim in which to inspect the product. We assume no responsibility for labor costs, removing or replacing a previously installed product, transportation, or the return of a product.

Pre-installation

TOOLS REQUIRED



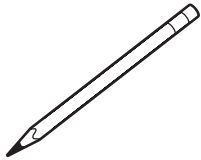
Measuring tape



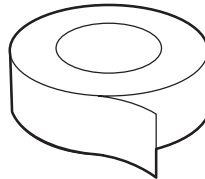
Level



Utility knife



Pencil



Tape



Adjustable wrench



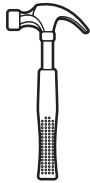
Phillips screwdriver



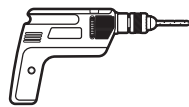
Flathead screwdriver



Needle nose pliers



Hammer



Electric drill



Safety goggles

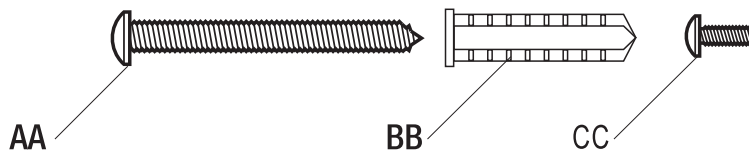


Safety gloves

HARDWARE INCLUDED



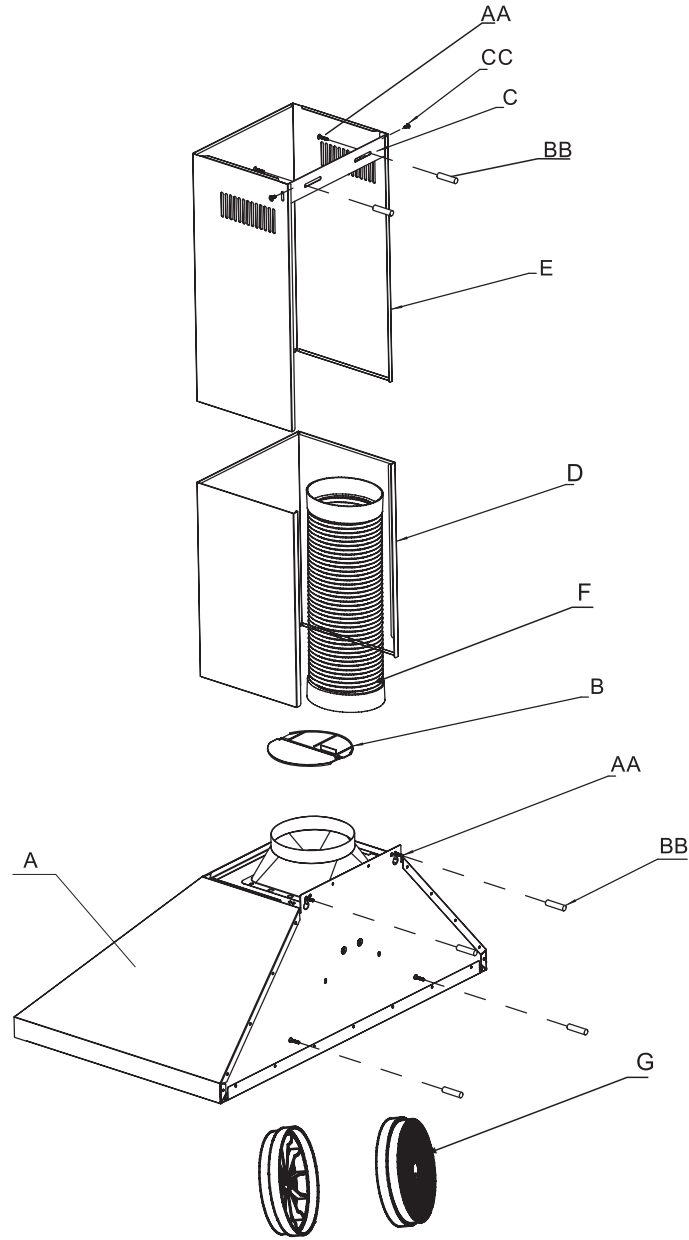
NOTE: Hardware not shown to actual size.



Part	Description	Quantity
AA	Hood body mounting screws	6
BB	Drywall anchor	6
CC	Chimney mounting bracket screws	2

Pre-installation (continued)

PACKAGE CONTENTS



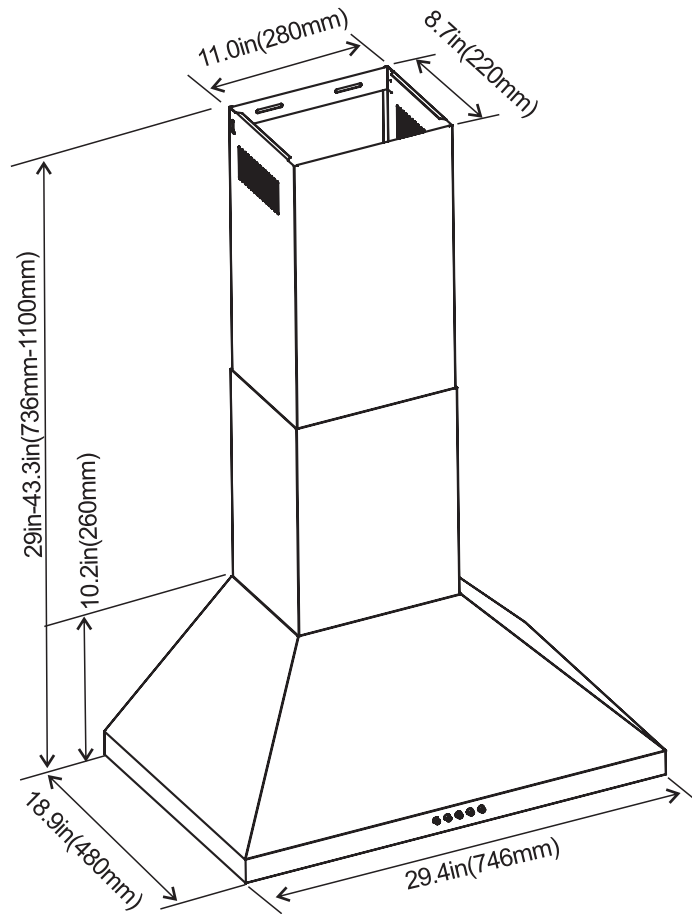
Part	Description	Quantity
A	Range hood (including filters and lamps)	1
B	Damper (located with the outlet adapter)	1
C	Chimney mounting bracket	1
D	Bottom chimney	1
E	Top chimney	1
F	Diameter 6 inch flexible duct (Length max 70 inch)	1
G	Charcoal filters	2

Pre-installation (continued)

SPECIFICATIONS

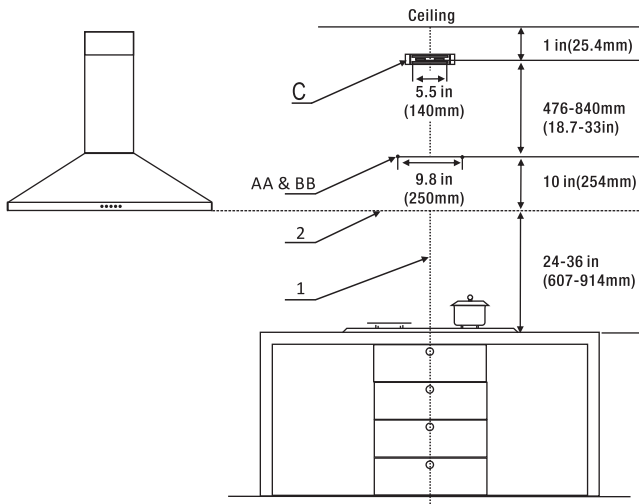
Model# PCH7705CB

Dimensions	Volts	Hertz	Fan CFM	Speeds	Light Wattage	Stainless Steel Grade
29.4 in(746mm) W	120	60	400	High	3	430
18.9 in(480mm) D				Medium		
29 in-43.3 in(736-1100mm) H				Low		



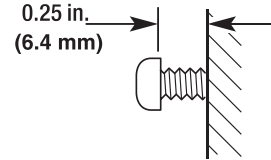
1 INSTALLATION DRILLING AND LINING

1. Draw a vertical center line (1) on the supporting wall up to the ceiling, or as high as practical, at the center of the area where the hood will be installed.
2. Draw a horizontal line (2) above the range at the preferred distance between 24 to 36 in (607-762 mm). Consult the user manual of your range if so required.
3. Position chimney mounting bracket (C) on the wall as shown about 1 in (25.4 mm) from the ceiling.

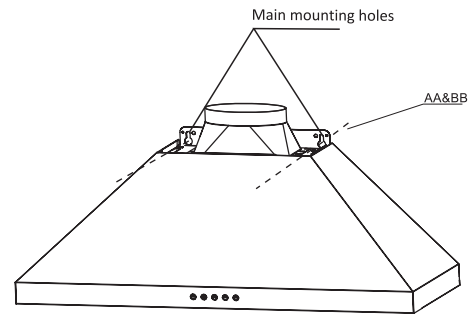


2 MOUNTING THE HOOD

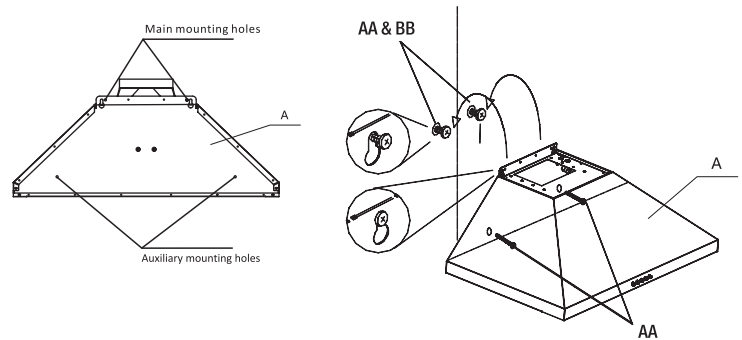
1. Mount two main mounting screws (AA) with drywall anchors (BB) into the wall along the line that is 10 in (254 mm) above the horizontal line (2). Leave a 0.25 in (6.4 mm) gap between the wall and the back of the screw head to slide the range hood into place. Ensure the screws and anchors (AA and BB) are parallel with the horizontal line (2).



2. Hook the hood body (A) onto the screws (AA) mounted onto the wall and securely tighten the screws (AA) to secure the hood body (A) on the wall.



3. Install two additional hood body mounting screws (AA) into the auxiliary mounting holes to secure the hood body (A) in place.



3 CONNECT DUCTWORK

FOR OUTDOOR VENTING ONLY



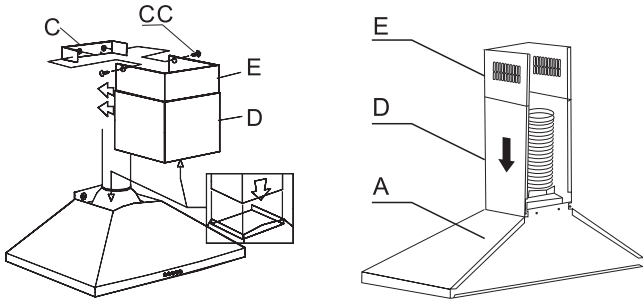
CAUTION: To reduce the risk of fire, metal ductwork is preferred. (Flexible duct is included.)

- Attach an adequate length of flexible duct (included) on the top the outlet adapter.
- Check and properly tape all joints on duct work to ensure proper connections.

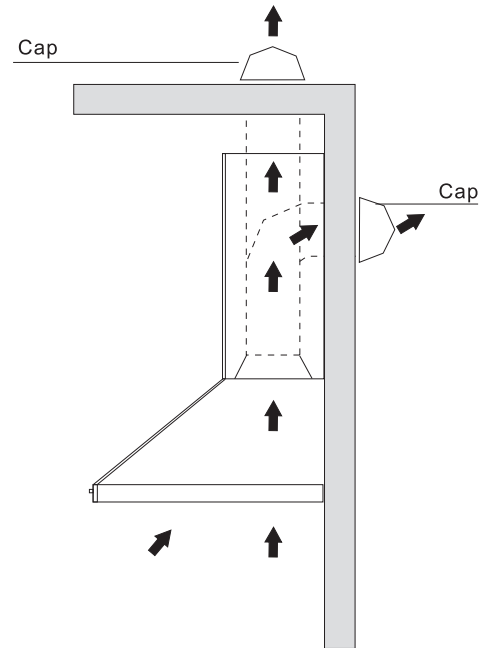
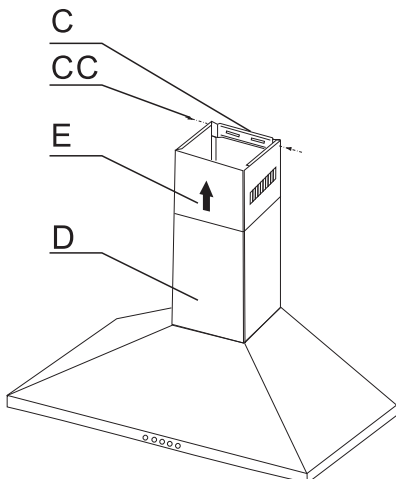
1. Decide where the flexible duct (included) will run between the hood and the outside.
2. Please be noted that a straight, short duct will allow the hood to perform more efficiently.
3. Long duct runs, elbows, and transitions will reduce the performance of the hood. Larger ducting may be required for better performance with longer duct runs.
4. The air must not be discharge into a flue that is used for exhausting fumes from appliances burning gas or other fuels. Regulations concerning the discharge of air have to be fulfilled.
5. Install a roof/wall cap. Connect metal ductwork to cap and work back towards hood location. Check and properly tape all joints on ductwork to ensure proper connections. (The roof/wall cap should be sourced locally).

1. TELESCOPIC CHIMNEY ASSEMBLY

- **Chimney Bottom:** Carefully slide the chimney bottom (D) down outside the chimney top (E) partly, and then carefully place the chimney bottom (D) into the recessed area of the hood body (A) top.



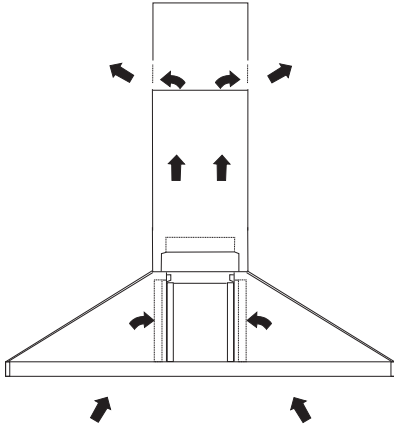
- **Chimney Top:** Ensure the chimney mounting bracket (C) is securely attached to the wall. Raise the chimney top (E) up inside the chimney bottom (D). Secure the chimney top (E) to the chimney mounting bracket (C) with chimney mounting bracket screws (CC) from two sides.



Installation (continued)

INSTALLING CHARCOAL FILTERS FOR INDOOR VENTING ONLY

1. Install the charcoal filters (included).
2. Please note that the air will flow out from the two grids on the two sides of the chimney top.



ELECTRICAL CONNECTION



WARNING: If the supply cord is damaged, it must be replaced by the service agent or similarly qualified persons in order to avoid a hazard.



WARNING: Do not use the plug and an extension cord other than the ones initially supplied with the hood.



WARNING: The ground connection of this hood is compulsory. Do not remove ground prong of the plug.

1 OPERATION OF CONTROLS

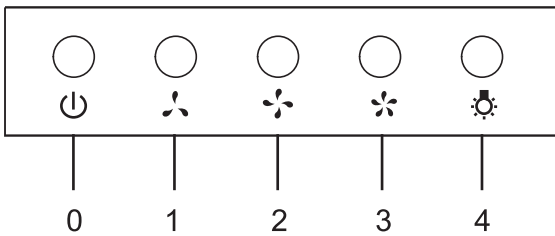
1. The hood is operated by the push buttons on the front panel.
2. The light switch (4) turns the lamps on and off.
3. The blower switch (1,2,3) turns the blower on to three speed settings:

0 - ON/OFF

1 - LOW SPEED

2 - MEDIUM SPEED

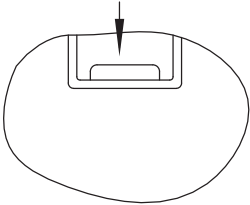
3 - HIGH SPEED



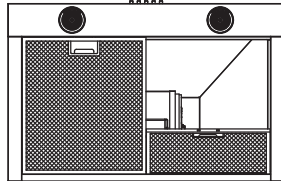
ALUMINIUM GREASE FILTER

- The grease filters should be cleaned frequently (every two months of operation, or more frequently for heavy use). Use a warm detergent solution.
- Grease filters are dishwasher safe.

(1) PUSH DOWN



(2) LIFT OUT

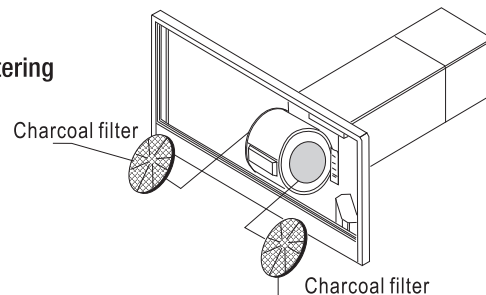


1. Remove the grease filters one by one by pushing down each latch. This will disengage the filter from the hood. Tilt the filter downward and remove.
2. Wash the filters, taking care not to bend them. Allow them to be dry before replacing.
3. When replacing the filters, make sure that the latch is visible from the outside.
4. To install the grease filters, align rear filter tabs with slots in the hood. Push down the latch, push filter into position and release. Make sure the filter is securely engaged after assembly.

Maintenance (continued)

NON-DUCTED RECIRCULATION CHARCOAL FILTER (INCLUDED)

- This charcoal filters (included) is not washable, cannot be regenerated, and should be replaced approximately every 3 months of operation, or more frequently in the case of heavy usage.
1. Remove the outer filters.
 2. The charcoal filters (included) must be applied to the suction unit inside the hood, centering them inside of it and turning them 90°until they snap into place.
 3. Put the outer filters back in place.



LIGHTING

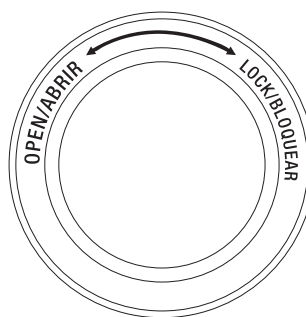
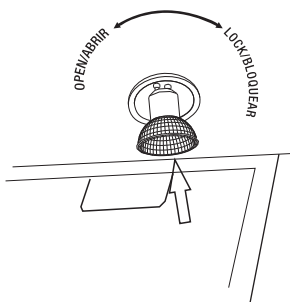


WARNING: Always switch off the electrical supply before carrying out any operation on the appliance.



CAUTION: The surface of the LED lamps may be hot. Take care when doing the replacement.

- This range hood requires two LED lamps with 120V, GU10, 3W.
- To change LED light bulbs:
 1. Switch off power and wait for 5 minute untill the bulbs cool down.
 2. Rotate counterclockwise to remove bulb or clockwise to install bulb.



“Please note that changes or modifications of this product is not expressly approved by the party responsible for compliance could void the user's authority to operate the equipment.”

NOTE: This equipment has been tested and found to comply with the limits for a Class B digital device, pursuant to Part 15 of the FCC Rules. These limits are designed to provide reasonable protection against harmful interference in a residential installation. This equipment generates, uses and can radiate radio frequency energy and, if not installed and used in accordance with the instructions, may cause harmful interference to radio communications. However, there is no guarantee that interference will not occur in a particular installation. If this equipment does cause harmful interference to radio or television reception, which can be determined by turning the equipment off and on, the user is encouraged to try to correct the interference by one or more of the following measures:

- Reorient or relocate the receiving antenna.
- Increase the separation between the equipment and receiver.
- Connect the equipment into an outlet on a circuit different from that to which the receiver is connected.
- Consult the dealer or an experienced radio/TV technician for help.

Care and Cleaning



WARNING: Failure to maintain basic standards of care and cleaning of the range hood will increase the risk of fire .

The range hood should be cleaned regularly internally and externally to preserve its appearance and performance.

Do

- Clean the range hood periodically with hot, soapy water and a clean cotton cloth.
- Always clean in the direction of original polish lines.
- Always rinse well with clean water two or three times after cleaning. Wipe completely dry with a soft, non-abrasive cloth.
- After cleaning, you may polish with a non-abrasive stainless steel polish or cleaner. Always rub lightly and with the grain.
- Ensure that the venting system is free of debris, if you have one.

Do Not

- Do not use corrosive or abrasive detergents, or any products containing chloride, fluoride, iodide, or bromide on this product, as they will deteriorate the surface rapidly.
- Do not allow cleaning compounds, salt solutions, disinfectants, or bleaches to remain in contact with the product for extended periods of time.
- Do not allow deposits to remain for long periods of time on the range hood. Rinse with water immediately and wipe dry with a clean cloth.
- Do not leave the range hood dirty for long periods of time or allow dirt to accumulate.
- Do not let plaster dust or any other construction residue enter the hood. During construction or renovation, cover the hood.
- Combustible products used for cleaning, such as acetone, alcohol, ether, or benzyl, are highly explosive and should never be used close to a range or stove .

Troubleshooting



DANGER: Turn off the power circuit breaker or the power switch on the junction box before installing or servicing this unit. Touching circuitry inside the range hood while it is energized will result in death or serious injury.

Problem	Solution
The range hood not operate.	<ul style="list-style-type: none"> <input type="checkbox"/> Check that the power supply cable and all electrical wiring are properly connected. <input type="checkbox"/> Check that the power is turned on at the junction box or circuit breaker. <input type="checkbox"/> Check that the wiring between the switch board and the control board are connected properly.
The range hood vibrates when the fan is operating.	<ul style="list-style-type: none"> <input type="checkbox"/> Check that the range hood has been secured properly to the wall or cabinet. Tighten it into position, if necessary. <input type="checkbox"/> Check that the motor is secured in place. If not, then tighten the motor in place. <input type="checkbox"/> Check that the fan is not damaged. If so, replace the fan.
The fans seem weak.	<ul style="list-style-type: none"> <input type="checkbox"/> Check that the duct size used is at least 6 in.(152mm) . The range hood will not function efficiently with insufficient duct size. <input type="checkbox"/> Check that the duct is not clogged with debris and the tight mesh on the wall cap, if applicable, isn't restricting air flow. <input type="checkbox"/> Check that the damper unit is opening properly, if applicable.
The lights work, but the fan is not spinning, is stuck, or is rattling.	<ul style="list-style-type: none"> <input type="checkbox"/> The lights work, but the fan is not spinning, is stuck, or is rattling. <input type="checkbox"/> Check that the fan isn't jammed or scraping the bottom. <input type="checkbox"/> If nothing else works, the motor may be defective or seized. If so, replace the motor.
The range hood is not venting properly.	<ul style="list-style-type: none"> <input type="checkbox"/> Check that the distance between the cook top and the bottom of the range hood is min. at 24 in. <input type="checkbox"/> Check that duct work follows all requirements. Use metal duct work with a uniform diameter of 6 in.(150mm) . Reduce the length of duct work and the number of elbows if necessary. Ensure that all joints are properly connected, sealed, and taped. <input type="checkbox"/> Check that the duct does not open against the wind. <input type="checkbox"/> Ensure that the power is on high speed for heavy cooking. <input type="checkbox"/> Wind from opened windows or doors may affect the performance of the range hood. Close windows and doors to eliminate outside air flow.
A light does not work.	<ul style="list-style-type: none"> <input type="checkbox"/> Check the light bulb to see if it is loose. If so, tighten. <input type="checkbox"/> Remove the problem bulb and insert one you know is working. If the properly functioning light does not come on, the problem may be the light assembly. Have the light assembly serviced or replaced.

Wiring Diagram

MODEL # PCH7705CB

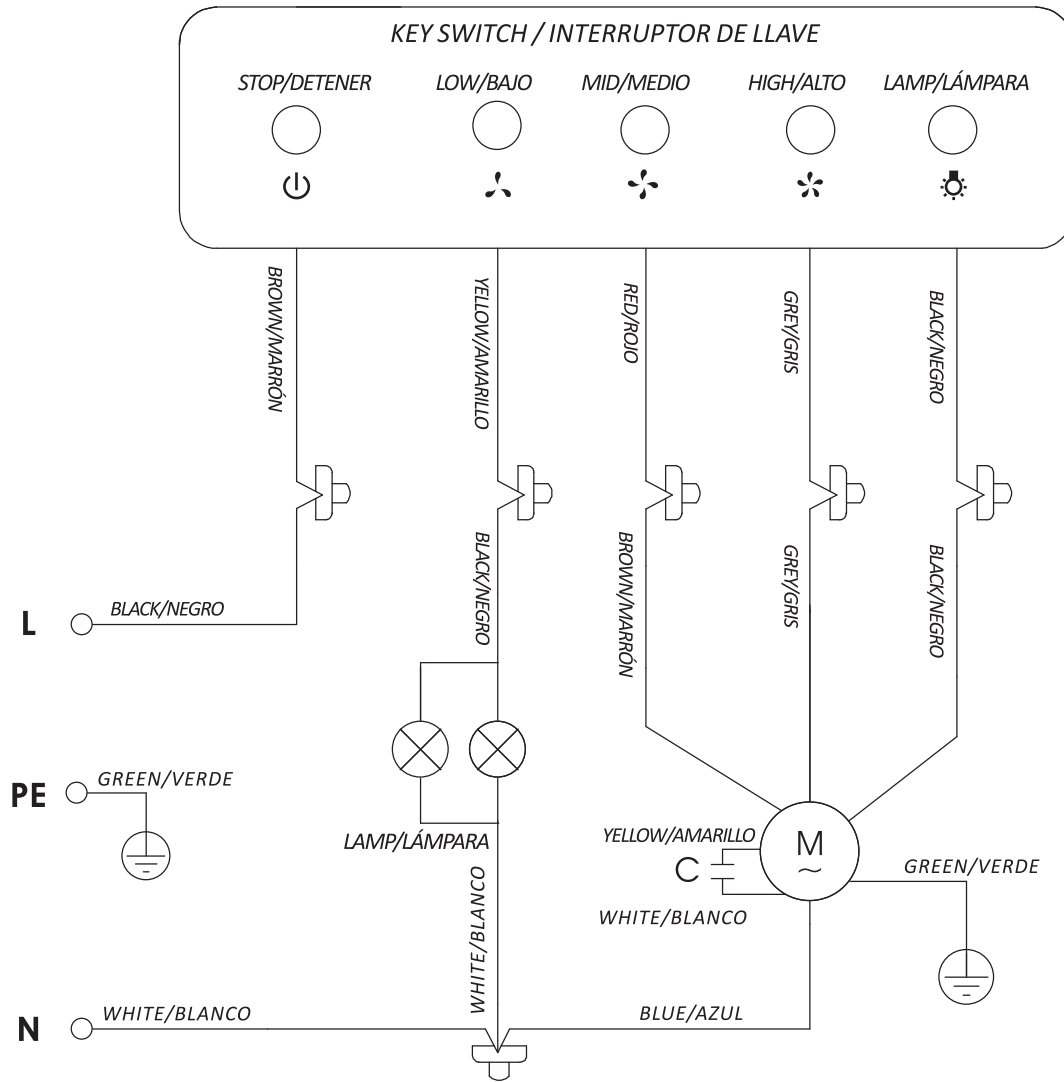


Tabla de Contenidos

Información de Seguridad	1
Garantía	3
Preinstalación	5
Instalación	7
Operación	10
Mantenimiento	11
Cuidado y Limpieza	13
Resolución de Problemas	14
Diagrama de Cableado	15

Información de Seguridad

INFORMACIÓN GENERAL DE SEGURIDAD

1. Utilice esta unidad únicamente de la manera prevista. Si tiene alguna pregunta, contacte al distribuidor o importador.
2. Lea atentamente esta guía antes de instalar o utilizar este producto. Guarde esta guía para uso del inspector local de electricidad.
3. Esta campana tiene un sistema de protección térmico para el motor, que se apagará automáticamente si el motor se sobrecalienta. Si la protección contra el sobrecalentamiento se activa, desconecte la campana de la alimentación y espere 15 minutos para que el motor se enfríe.

INFORMACIÓN DE SEGURIDAD PARA LA INSTALACIÓN

1. Las instrucciones de instalación en este manual están dirigidas a instaladores cualificados, técnicos de servicio y otras personas con conocimientos técnicos o eléctricos. Nunca intente instalar este aparato por sí mismo.
2. Su instalación debe cumplir con toda la normativa local vigente.
3. Instrucciones de puesta a tierra: este aparato debe estar conectado a tierra. En caso de cortocircuito eléctrico, la conexión a tierra reduce el riesgo de descarga eléctrica proporcionando un cable de escape para la corriente eléctrica. Este aparato está equipado con un cable de alimentación que contiene un cable de puesta a tierra con una toma de tierra. El enchufe debe estar enchufado y el tomacorriente debidamente instalado y puesto a tierra. Consulte a un electricista cualificado si las instrucciones de puesta a tierra no se entienden

completamente, o si existe alguna duda de si el aparato está correctamente conectado a tierra. No use un cable de extensión si el cable de alimentación es demasiado corto. Haga que un electricista cualificado instale y tome un tomacorriente cerca del aparato.

4. Se necesita aire suficiente para una combustión y escape de gases adecuados a través de la cubierta del conducto para evitar el backdraft (explosión de gases de humo con efecto reverso). Es recomendable seguir directrices y normas de seguridad como las publicadas por la National Fire Protection Association (NFPA), la Sociedad Americana de Ingenieros de Calefacción, Refrigeración y Aire Acondicionado (ASHRAE) y las autoridades locales.
5. Los conductos usados deben limpiarse o reemplazarse si es necesario. Revise y pegue con cinta adhesiva todas las uniones en los conductos para asegurar las conexiones.



PELIGRO: apague el interruptor de alimentación en la caja de conexiones antes de instalar o utilizar este aparato. Tocar los circuitos dentro de la campana mientras está conectada podrá resultar en muerte o lesiones graves.



PELIGRO: todo el cableado eléctrico debe estar instalado, aislado y conectado a tierra correctamente. Un aislamiento y una conexión a tierra inadecuados podrán dar como resultado una descarga eléctrica mortal.



PELIGRO: Si instala este aparato cerca de una fuente de gas, apáguela antes de instalarlo.



ADVERTENCIA: intentar instalar o reparar este aparato sin contar con conocimientos técnicos o eléctricos puede ocasionar lesiones.

Información de seguridad (continuación)



ADVERTENCIA: el aparato tiene bordes afilados. Siempre use guantes de seguridad durante su instalación, limpieza o manipulación.



Advertencia: una conexión a tierra inadecuada puede provocar una descarga eléctrica.



ADVERTENCIA: Siempre deje las rejillas de seguridad y los filtros en su lugar. Sin estos componentes, los ventiladores en funcionamiento podrían engancharse al cabello, los dedos o la ropa suelta.



PRECAUCIÓN: Para las cubiertas de acero inoxidable, retire con cuidado el plástico protector de la superficie de la cubierta antes de su instalación.

INFORMACIÓN GENERAL DE SEGURIDAD

1. Los ventiladores siempre deben expulsar el aire al exterior. Nunca expulse el aire hacia espacios interiores, techos, áticos o garajes.
2. Cuando corte o taladre en la pared o el techo, no dañe el cableado eléctrico u otros servicios ocultos.

INFORMACIÓN DE SEGURIDAD DE COCCIÓN

1. Use este aparato solo conforme a las instrucciones del fabricante. Si tiene alguna pregunta, comuníquese con el fabricante a través de la dirección o número de teléfono que figuran en la garantía.
2. Antes de reparar o limpiar el aparato, desconéctelo de la corriente y bloquee los medios de conexión del servicio para evitar que se encienda accidentalmente. Cuando los medios de conexión del servicio no se pueden bloquear, ponga de forma segura un dispositivo de advertencia llamativo, como una etiqueta, en el panel de servicio.
3. El trabajo de instalación y el cableado eléctrico deben ser realizados por una persona o personas calificadas de acuerdo con todos los códigos y normas vigentes, incluida la construcción con clasificación anti-incendios.

4. Se necesita aire suficiente para una correcta combustión y escape de gases a través de la chimenea de los equipos que queman combustible para evitar el backdraft (explosión de gases de humo con efecto reverso). Siga las pautas y normas de seguridad del fabricante del equipo de calefacción, como las publicadas por la National Fire Protection Association (NFPA), la Sociedad Americana de Ingenieros de Calefacción, Refrigeración y Aire Acondicionado (ASHRAE) y las autoridades locales.
5. Cuando corte o taladre en la pared o el techo, no dañe el cableado eléctrico ni otros servicios ocultos.
6. Los ventiladores deben dirigirse siempre al exterior.
7. Esta unidad debe estar conectada a tierra.

INFORMACIÓN DE LIMPIEZA SEGURA

1. El ventilador y los filtros deben limpiarse periódicamente y evitar la acumulación de residuos de comida. Los filtros viejos y desgastados deben ser reemplazados inmediatamente.
2. Nunca desmonte las piezas por sí mismo. Las piezas deben ser desmontadas solo por personal cualificado.



ADVERTENCIA: Para reducir el riesgo de incendio, utilice únicamente conductos de metal. Nunca use conductos de plástico.



ADVERTENCIA: Manténgase alejado del ventilador giratorio cuando el motor esté funcionando.



ADVERTENCIA: Mantenga este aparato limpio y libre de grasa y acumulación de residuos en todo momento para evitar incendios.



PRECAUCIÓN: Sólo para uso con ventilación general. No utilice los ventiladores de la campana extractora para extraer vapores peligrosos o explosivos.



PRECAUCIÓN: Nunca eche ceniza de cigarrillos, sustancias inflamables o cualquier objeto extraño en los ventiladores.

Garantía

Esta campana de cocina tiene garantía que cubre defectos en el material y la mano de obra durante un (1) año desde la fecha de compra. Nuestra obligación se limitará a la reparación o reemplazo de un aparato (a nuestra discreción) que se demuestre, según nuestras propias pruebas, ser defectuoso en el uso y servicio normales durante el período de garantía. Podemos emitir crédito correspondiente al valor de la factura del producto defectuoso (o un porcentaje del mismo según el uso) en lugar de la reparación o el reemplazo. No se cubre cualquier defecto de este producto que no se deba a un defecto de material o mano de obra. Estos casos (no solo se limita a estos) en los que la garantía no tiene validez son los siguientes:

- Cambio de color debido al uso de químicos.
- Instalación incorrecta no conforme con las instrucciones.
- Abolladuras, golpes y rasguños incurridos durante el envío, manejo o instalación.
- Daños causados por el incumplimiento de las pautas de cuidado y limpieza, incluido el daño causado por el uso de limpiadores abrasivos.
- Alteraciones hechas al aparato por el comprador o instalador.
- Daños causados por impacto accidental, incendio, inundación, congelación y desgaste.
- Deformaciones causadas por conexiones forzadas, accesorios demasiado apretados y un soporte inadecuado durante la instalación

Se debe realizar una inspección minuciosa antes de la instalación y cualquier defecto debe informarse de inmediato. No seremos responsables por fallos o daños que pudieran haberse descubierto o evitado mediante una inspección adecuada antes de la instalación.

Las reparaciones fortuitas que implicaran un mínimo de tiempo y esfuerzo por parte del comprador no se considerarán como un trabajo de garantía y no se considerarán compensables.

Esta garantía no es transferible y se anulará si el aparato se retira de su instalación inicial o si no se instala siguiendo las instrucciones.

Bajo ninguna circunstancia seremos responsables por lesiones personales o daños a la propiedad que resulten de la instalación o uso incorrecto de este producto. No seremos responsables por los inconvenientes causados por la pérdida de uso de este producto, los costes incurridos por mano de obra o materiales, la desinstalación e instalación de aparatos de reemplazo o cualquier otro daño fortuito o consecuente. Los costes relacionados con obtener acceso para la reparación o reemplazo del aparato son responsabilidad del usuario. Esta garantía no se extiende a la instalación o uso comercial e institucional.

PROCEDIMIENTO DE RECLAMACIÓN DE GARANTÍA

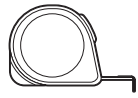
Antes de realizar su llamada de reclamo, asegúrese de tener:

- Descripción de la campana extractora.
- Prueba de la venta.
- Detalles sobre el defecto.
- Nombre (s) y dirección (es) del propietario e instalador.

Las reclamaciones deben completarse por escrito y entregarse durante los seis (6) meses posteriores a la aparición de un defecto. El incumplimiento de esta estipulación anulará la garantía. Nos reservamos el derecho a una demora de treinta (30) días después de recibir una reclamación para inspeccionar el producto. No asumimos ninguna responsabilidad por los costos de mano de obra, la eliminación o el reemplazo de un producto instalado anteriormente, el transporte o la devolución de un producto.

Preinstalación

HERRAMIENTAS REQUERIDAS



Cinta metrica



Nivel



Cuchillo de uso



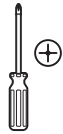
lapiz



Cinta adhesiva



Liave ajustable



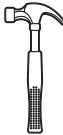
Destornillador phillips



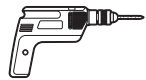
Destornillador de cabeza plana



Pinzas de punta de aguja



Martillo



Taladro electrico



Gafas de seguridad

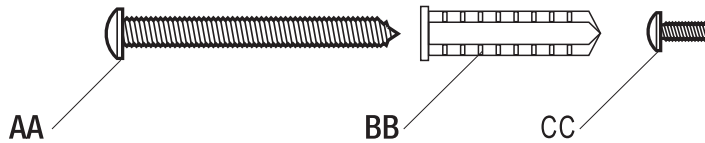


Guantes de seguridad

MATERIAL DE HARDWARE



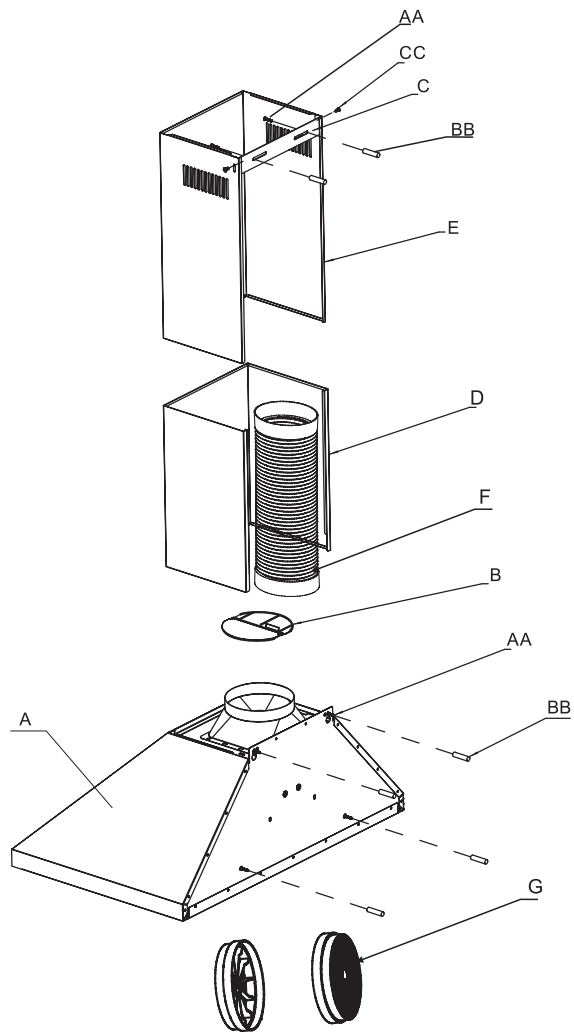
NOTA: El hardware no se muestra a tamaño real.



Parte	Descripción	Cantidad
AA	Tornillos de montaje del cuerpo de la campana	6
BB	Ancla de paneles de yeso	6
CC	Tornillos de soporte de montaje de chimenea	2

Preinstalación (continuación)

CONTENIDOS DEL PAQUETE



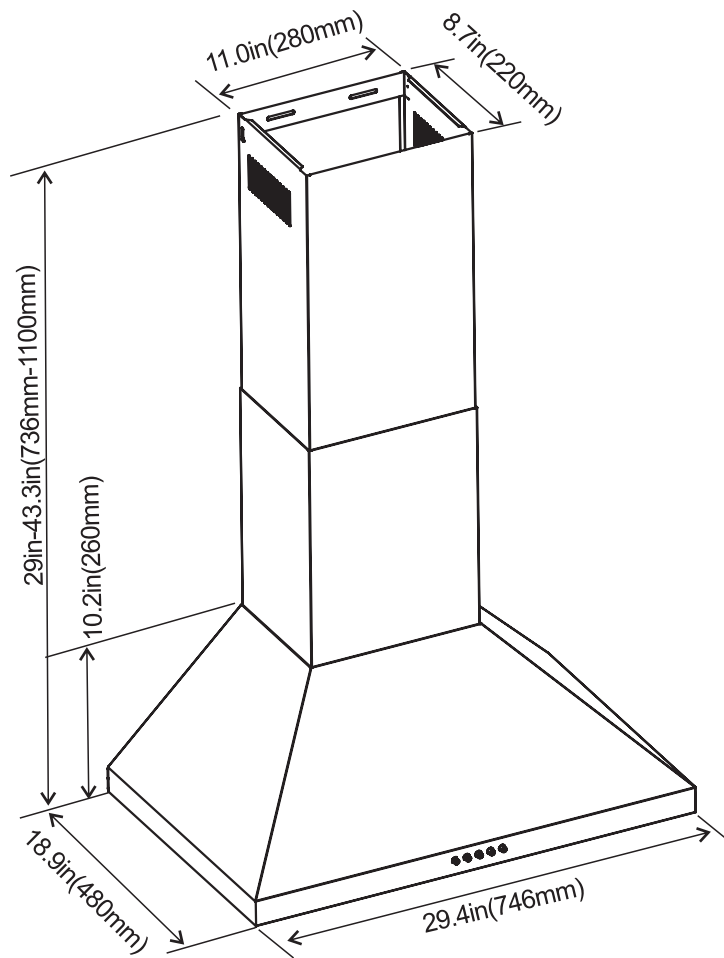
Parte	Descripción	Cantidad
A	Campana extractora (incluidos filtros y lámparas).	1
B	Amortiguador (ubicado con el adaptador de salida)	1
C	Soporte de montaje de chimenea	1
D	Chimenea de fondo	1
E	Chimenea superior	1
F	Diámetro de 6 pulgadas del conducto flexible (longitud máxima de 70 pulgadas)	1
G	Filtros de carbón	2

Preinstalación (continuación)

ESPECIFICACIONES

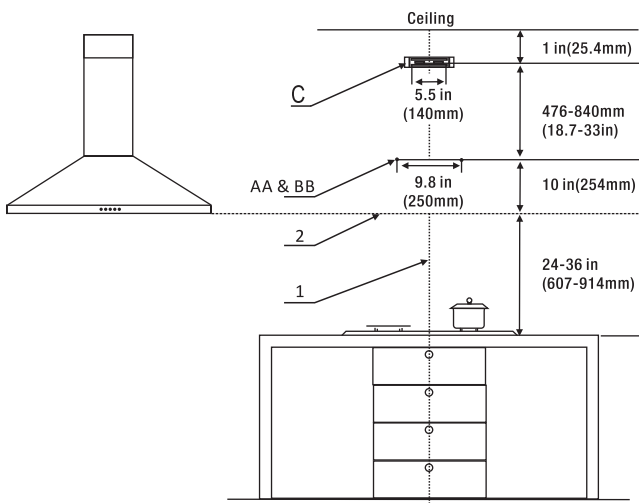
Modelo# PCH7705CB

Dimensiones	Volts	Hercios	Ventilador CFM	Velocidades	Potencia de luz	Grado de acero inoxidable
29.4 in(746mm) W	120	60	400	Alta	3	430
18.9 in(480mm) D				Media		
29 in-43.3 in(736-1100mm) H				Baja		



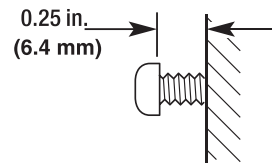
1 PERFORANDO LOS AGUJEROS PILOTO

1. Dibuje una línea central vertical (1) en la pared del soporte hasta el techo, o tan alto como sea práctico, en el centro del área donde se instalará el capó.
2. Dibuje una línea horizontal (2) por encima del rango a la distancia preferida entre 24 a 36 pulgadas (607-762 mm). Consulte el manual del usuario de su rango si es necesario.
3. Coloque el soporte de montaje de la chimenea (C) en la pared, como se muestra a aproximadamente 1 pulgada (25,4 mm) del techo.

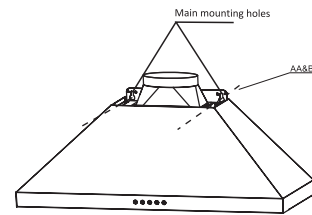


2 MONTAJE DE LA CAMPANA

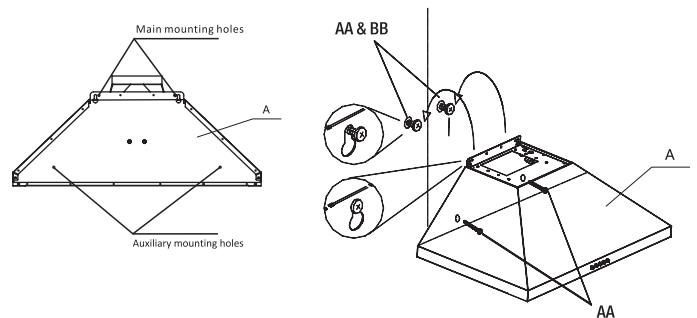
1. Monte dos tornillos de montaje principales (AA) con anclajes para paneles de yeso (BB) en la pared a lo largo de la línea que está 10 pulgadas (254 mm) por encima de la línea horizontal (2). Deje un espacio de 0,25 pulgadas (6,4 mm) entre la pared y la parte posterior de la cabeza del tornillo para deslizar la campana en su lugar. Asegúrese de que los tornillos y anclajes (AA y BB) estén paralelos a la línea horizontal (2).



2. Sujete el cuerpo de la cubierta (A) a los tornillos (AA) montados en la pared y apriete firmemente los tornillos (AA) para asegurar el cuerpo de la cubierta (A) en la pared.



3. Instale dos tornillos de montaje adicionales del cuerpo de la campana (AA) en los orificios de montaje auxiliares para asegurar el cuerpo de la campana (A) en su lugar.



Instalación (continuación)

3 CONEXIÓN DE LOS CONDUCTOS.

SOLO PARA VENTILACIÓN EXTERIOR

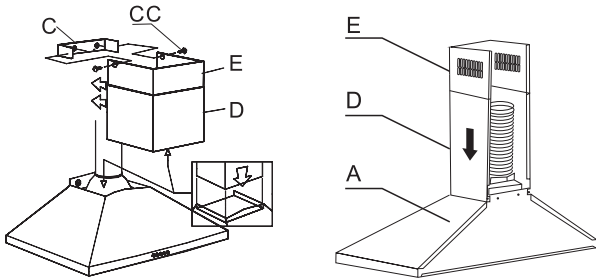


PRECAUCIÓN: Para reducir el riesgo de incendio, se prefiere la canalización metálica. (Se incluye conducto flexible de 6 pulgadas.)

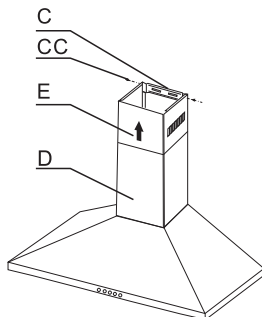
- Coloque una longitud adecuada de conducto flexible (incluido) en la parte superior del adaptador de salida.
- Verifique y pegue con cinta adhesiva todas las uniones en los conductos para garantizar que las conexiones sean correctas.

1. MONTAJE DE CHIMENEA TELESCÓPICA

- Parte inferior de la chimenea: deslice con cuidado la parte inferior de la chimenea (D) hacia abajo fuera de la parte superior de la chimenea (E), y luego coloque con cuidado la parte inferior de la chimenea (D) en el área empotrada de la parte superior del cuerpo de la cubierta (A).

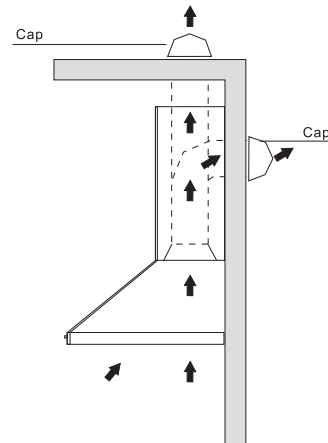


- Parte superior de la chimenea: asegúrese de que el soporte de montaje de la chimenea (C) esté bien sujeto a la pared. Levante la parte superior de la chimenea (E) hacia arriba dentro de la parte inferior de la chimenea (D). Fije la parte superior de la chimenea (E) al soporte de montaje de la chimenea (C) con los tornillos del soporte de montaje de la chimenea (CC) desde los dos lados.



1. Decida dónde se colocará el conducto flexible (incluido) entre el capó y el exterior.
2. Tenga en cuenta que un conducto recto y corto permitirá que la campana funcione de manera más eficiente.
3. Los conductos largos, las curvas y las transiciones reducirán el rendimiento del conducto. Use la menor cantidad posible de ellos. Es posible que se requieran conductos más anchos para un mejor rendimiento cuando los conductos son más largos.
4. El aire no debe extraerse por una salida que se utilice para extraer humos de otros aparatos que queman gas u otros combustibles. Se deben cumplir las normas relativas a la descarga de aires.
5. Instale una tapa de techo / pared. Conecte el conducto de metal a la tapa hacia la ubicación de la campana. Revise y pegue con cinta adhesiva todas las uniones en los conductos para asegurar las conexiones correctas.

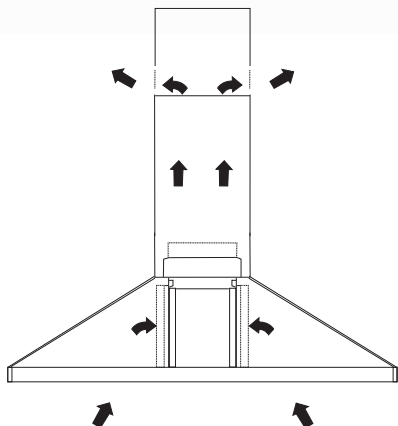
(La tapa del techo / pared debe comprarse por separado).



Instalación (continuación)

INSTALACIÓN DE FILTROS DE CARBÓN SOLO PARA VENTILACIÓN INTERIOR

1. Instale los filtros de carbón (incluidos).
2. Tenga en cuenta que el aire saldrá de las dos rejillas en los dos lados de la parte superior de la chimenea.



CONEXIÓN ELÉCTRICA



ADVERTENCIA: Para evitar peligro, si el cable de suministro está dañado, debe ser reemplazado por el agente de servicio o por personas cualificadas.



ADVERTENCIA: No use un enchufe o un cable de extensión que no sean los suministrados inicialmente con la campana.

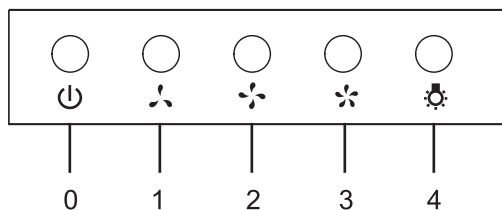


ADVERTENCIA: La conexión a tierra de esta campana es obligatoria. No quite la clavija de conexión a tierra del enchufe.

1 OPERACIÓN DE CONTROLES

- 1.La campana se opera con los botones en el panel frontal.
- 2.El interruptor de luz (4) enciende y apaga las lámparas.
- 3.Los interruptores del soplador (1,2,3) encienden el soplador en tres configuraciones de velocidad:

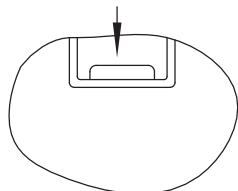
- 0 – APAGADO
- 1 – VELOCIDAD BAJA
- 2 - VELOCIDAD MEDIA
- 3 – VELOCIDAD ALTA



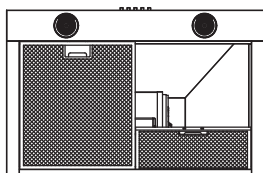
FILTRO DE GRASA DE ALUMINIO

- Los filtros de grasa deben limpiarse con frecuencia (cada dos meses de operación, o más frecuentemente cuando se hace un uso elevado). Use una solución de detergente caliente.
- Los filtros de grasa son aptos para lavavajillas.

(1) Apretar



(2) Levantar



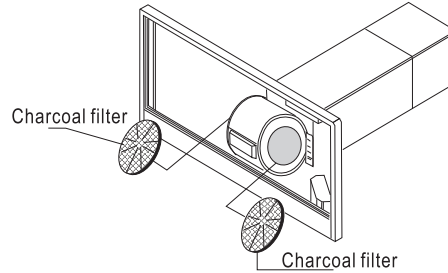
1. Retire los filtros de grasa uno por uno presionando hacia abajo cada pestillo. Esto desenganchará el filtro de la capucha. Incline el filtro hacia abajo y retírelo.
2. Lave los filtros, teniendo cuidado de no doblarlos. Permita que se sequen antes de reemplazarlos.
3. Cuando reemplace los filtros, asegúrese de que el cierre sea visible desde el exterior.
4. Para instalar los filtros de grasa, alinee las pestañas de los filtros traseros con las ranuras en el capó. Presione el pestillo hacia abajo, empuje el filtro hasta su posición y suéltelo. Asegúrese de que el filtro esté enganchado de manera segura después del ensamblaje.

Mantenimiento (continuación)

RECIRCULACIÓN NO CANALIZADA DE FILTROS DE CARBONO (INCLUIDOS)

□ Este filtro no es lavable, no puede regenerarse y debe reemplazarse aproximadamente cada 3 meses de operación, o más frecuentemente en el caso de un uso intenso.

1. Retire los filtros deflectores.
2. El filtro de carbón (incluido) se debe colocar en la unidad de succión de dentro de la campana, centrándolo dentro de ella y girándolo 90° hasta que encajen en su lugar.
3. Ponga los filtros deflectores en su lugar.



ILUMINACIÓN



ADVERTENCIA: apague siempre el suministro eléctrico antes de realizar cualquier operación en el aparato.

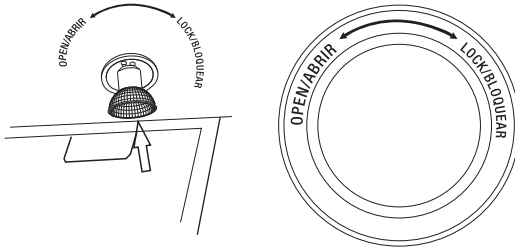


PRECAUCIÓN: La superficie de las lámparas LED puede estar caliente. Tenga cuidado al hacer el reemplazo.

□ Esta campana requiere dos lámparas LED con 120V, GU10,3W.

□ Para cambiar las bombillas LED:

1. Apague la alimentación.
2. Gire hacia la izquierda para quitar la bombilla o en el sentido de las agujas del reloj para instalar la bombilla.



Tenga en cuenta que los cambios o modificaciones de este producto no están expresamente aprobados por la parte responsable del cumplimiento y puede anular la autoridad del usuario para operar el equipo.

Este equipo ha sido probado y cumple con las características de un dispositivo digital de Clase B, de conformidad con la Parte 15 de las Normas de la FCC. Estos parámetros están diseñados para proporcionar una protección razonable contra interferencias perjudiciales en una instalación residencial.

Este equipo genera, utiliza y puede emitir energía de radiofrecuencia y, si no se instala y utiliza de acuerdo con las instrucciones, puede causar interferencias perjudiciales en las comunicaciones de radio. Aun así, no está garantizado que no se produzcan interferencias en una instalación en particular.

Si este equipo causa interferencias perjudiciales en la recepción de radio o televisión, lo cual puede determinarse encendiendo y apagando el equipo, se recomienda al usuario que intente corregir la interferencia mediante una o más de las siguientes medidas:

- Reorientar o reubicar la antena receptora.
- Aumente la separación entre el equipo y el receptor.
- Conecte el equipo a una toma de corriente en un circuito diferente al que está conectado el receptor.
- Consulte al distribuidor o a un técnico de radio / TV con experiencia para conseguir ayuda.

Cuidado y Limpieza



ADVERTENCIA: Si no se mantienen los estándares básicos de cuidado y limpieza de la campana, aumentará el riesgo de incendio.

La campana extractora debe limpiarse regularmente interna y externamente para preservar su apariencia y rendimiento.

Debe

- Limpie la campana de extracción periódicamente con agua caliente y jabón y un paño de algodón limpio.
- Limpie siempre en la dirección de las líneas de pulido originales.
- Siempre enjuague bien con agua limpia dos o tres veces después de limpiar. Seque completamente con un paño suave y no abrasivo.
- Después de la limpieza, puede pulir con un limpiador o pulidor de acero inoxidable no abrasivo. Siempre frote ligeramente.
- Asegúrese de que el sistema de ventilación (si tiene) esté libre de residuos.

No Debe

- No use sobre la campana detergentes corrosivos o abrasivos, ni productos que contengan cloruro, fluoruro, yoduro o bromuro, ya que deteriorarán la superficie rápidamente.
- No permita que los compuestos de limpieza, las soluciones salinas, los desinfectantes o los blanqueadores permanezcan en contacto con el producto durante períodos prolongados.
- No permita que los depósitos permanezcan por largos períodos de tiempo en la campana extractora. Enjuague con agua inmediatamente y seque con un paño limpio.
- No deje la campana extractora sucia durante largos períodos de tiempo ni permita que se acumule suciedad.
- No permita que el polvo de yeso o cualquier otro residuo de la construcción entre en la campana. Durante construcción o renovación, cubrir el capó de la campana.
- Los productos combustibles utilizados para la limpieza, como la acetona, el alcohol, el éter o el bencilo, son altamente explosivos y nunca deben usarse cerca de una estufa o cocina.

Solución de Problemas

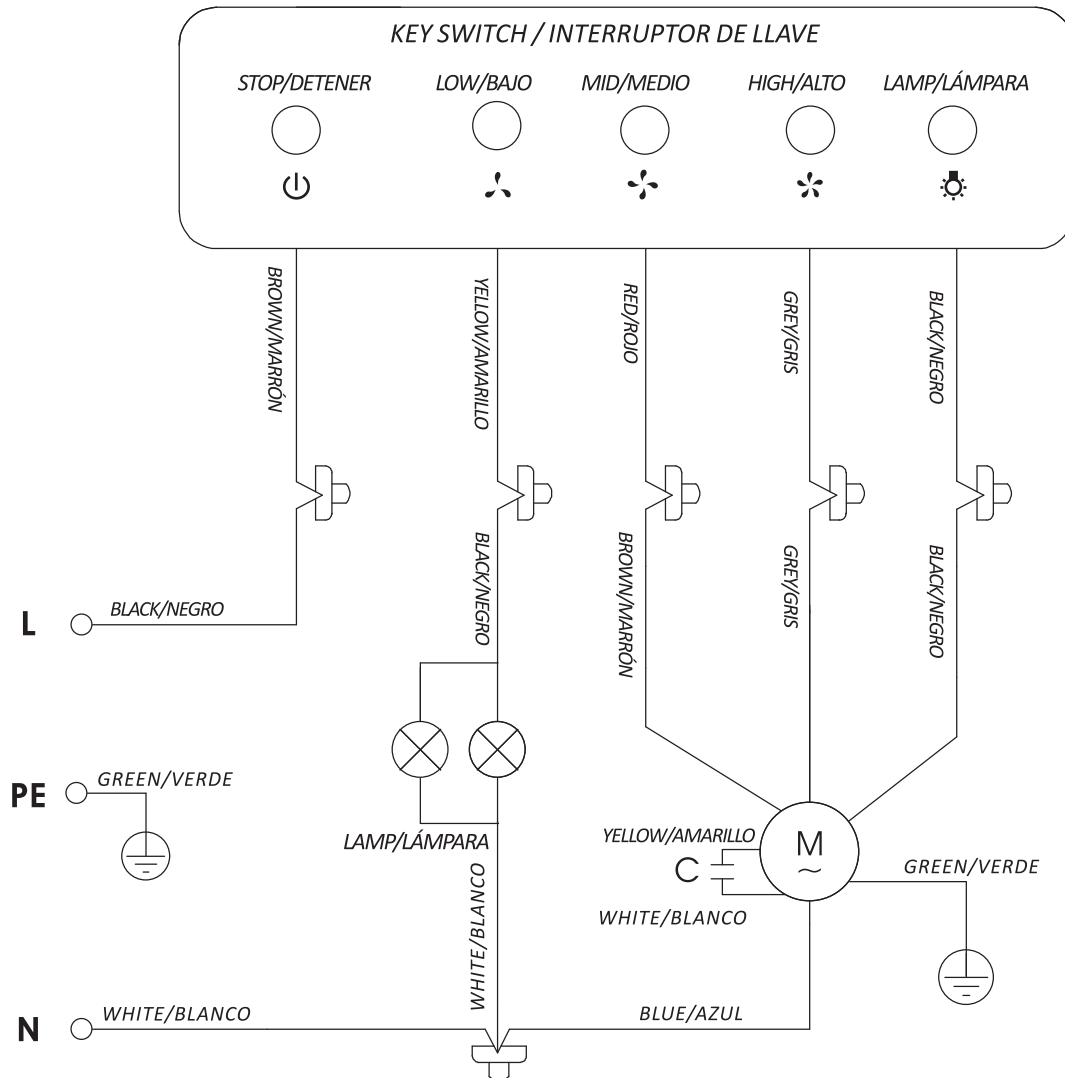


PELIGRO: apague el disyuntor o el interruptor de alimentación en la caja de conexiones antes de instalar o manipular este aparato. Tocar los circuitos dentro de la campana de la cocina mientras está energizada dará como resultado la muerte o lesiones graves.

Problema	Solución
La campana no funciona.	<ul style="list-style-type: none"><input type="checkbox"/> Compruebe que el cable de alimentación y todo el cableado eléctrico están conectados correctamente. <input type="checkbox"/> Compruebe que la alimentación está encendida en la caja de conexiones o el disyuntor.<input type="checkbox"/> Compruebe que el cableado entre la placa del interruptor y la placa de control están conectados correctamente.
La campana de cocina vibra cuando el ventilador está funcionando.	<ul style="list-style-type: none"><input type="checkbox"/> Compruebe que la campana se haya asegurado correctamente a la pared. Apriétela, si es necesario.<input type="checkbox"/> Verifique que el motor está anclado en su lugar. Si no, apriete el motor en su lugar. Compruebe que el ventilador no esté dañado. Si es así, reemplace el ventilador.
Los ventiladores parecen funcionar débilmente.	<ul style="list-style-type: none"><input type="checkbox"/> Compruebe que el tamaño del conducto utilizado sea de al menos 152 mm (6 pulg.). La campana no funcionará eficientemente con un tamaño de conducto insuficiente.<input type="checkbox"/> Verifique que el conducto no esté obstruido con residuos y que la malla apretada en la tapa de la pared, si corresponde, no esté restringiendo el flujo de aire. Verifique que la unidad de amortiguación se abra correctamente, si corresponde.
Las luces funcionan, pero el ventilador no está girando, está atascado o está sonando.	<ul style="list-style-type: none"><input type="checkbox"/> Compruebe que el ventilador no esté atascado o raspando la parte inferior. Si nada más funciona, el motor puede estar defectuoso. Si es así, reemplace el motor.
La campana no se está ventilando adecuadamente.	<ul style="list-style-type: none"><input type="checkbox"/> Verifique que la distancia entre la parte superior de la cocina y la parte inferior de la campana extractora sea al menos 24 in.<input type="checkbox"/> Verifique que los conductos cumplan con todos los requisitos. Use un conducto de metal con un diámetro uniforme de 150 mm (6 pulg.). Reduzca la longitud del conducto y el número de codos si es necesario. Asegúrese de que todas las juntas estén bien conectadas y selladas.<input type="checkbox"/> Compruebe que el conducto no se abre contra el viento. <input type="checkbox"/> Asegúrese de que la potencia esté en alta velocidad para cocina intensa. El viento de las ventanas o puertas abiertas puede afectar el rendimiento de la campana. Cierre las ventanas y puertas para eliminar el flujo de aire exterior.
Una luz no funciona.	<ul style="list-style-type: none"><input type="checkbox"/> Revise la bombilla para ver si está suelta. Si es así, apriete. Retire la bombilla problemática e inserte una que sepa que está funcionando. Si la bombilla funciona correctamente, pero no se enciende en la campana, el problema puede ser el ensamblaje de la luz. Haga reparar o reemplazar el ensamblaje de la luz.

Diagrama de Cableado

MODELO# PCH7705CB



The word "Premium" is written in a serif font, with a horizontal line above the 'i'. It is enclosed within a white oval shape that has a thin black border. The logo is positioned in the bottom right corner of the page, which has a dark grey background.

Premium

Manual de uso y cuidado
Precauciones importantes

Este producto es para uso doméstico únicamente.